

# 2MP Low Light IP In Ceiling Plenum Dome Camera

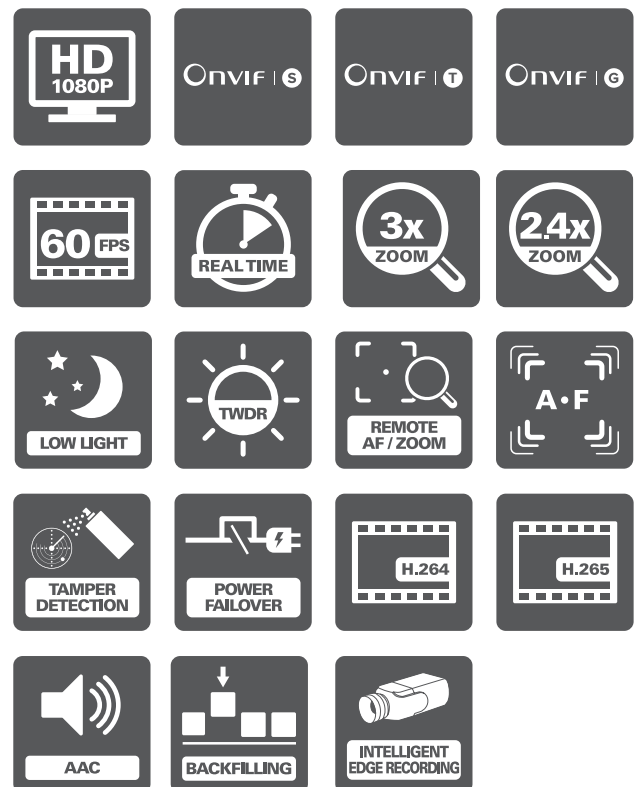
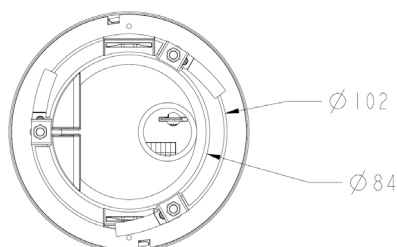
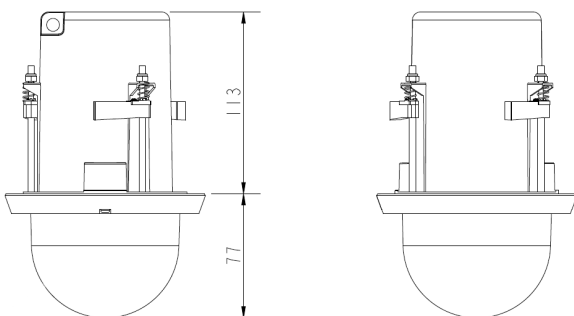
## SY-ICTD3-S-LLB / SY-ICTD2.4-S-LLB\*1

The Synectics In Ceiling Dome camera matches great performance with ultra compact aesthetics.



The Synectics 2MP Full HD multi-stream in ceiling dome IP camera is equipped with a Sony Exmor™ progressive scan CMOS sensor providing outstanding video resolution, and the capability to stream H.264 and H.265 simultaneously. This fixed in ceiling dome provides full 1080p HD 50/60fps streaming or true WDR at 25/30fps.

Coupled with its 3x AF zoom lens (or optional 2.4x lens) and ultra compact in ceiling plenum mounting it makes the ideal choice for indoor locations.



# Specifications

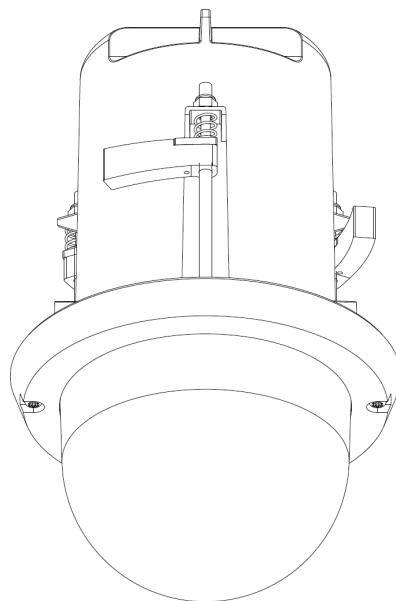
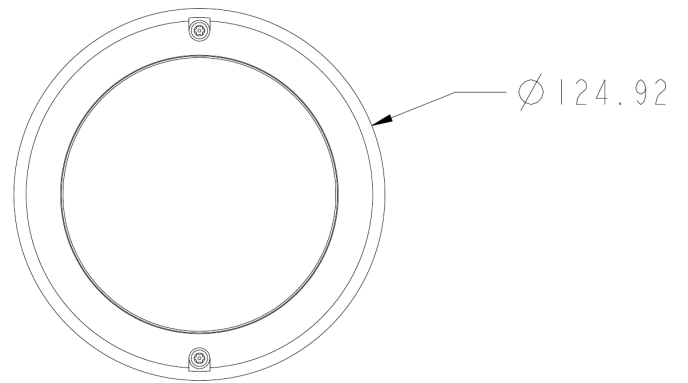
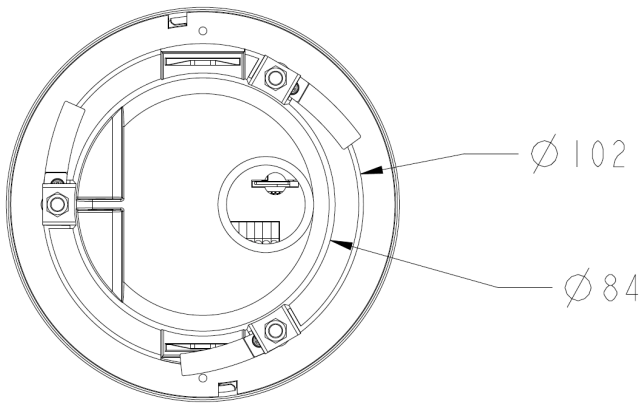
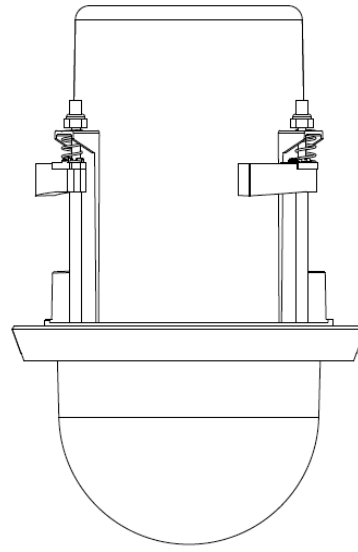
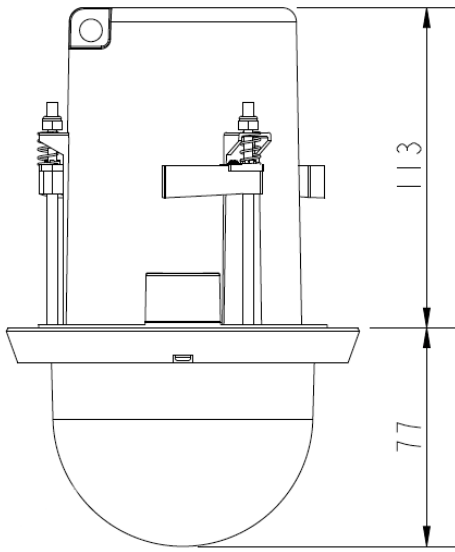
CAMERA		SY-ICTD3-S-LLB / SY-ICTD2.4-S-LLB*1	
Image Sensor	2MP Sony 1/2.8" Progressive CMOS		
Effective Pixels	1945 (H) x 1097 (V)		
Resolution	H.265 / H.264 / MJPEG Full HD 1080p / SXGA / HD 720P / XGA / SVGA / D1 / VGA / CIF / QVGA		
Min Illumination Color	0.02 Lux		
Min Illumination B&W	0.001 Lux		
Shutter Speed	1 ~ 1/10000 sec		
LENS		SY-ICTD3-S-LLB	SY-ICTD2.4-S-LLB*1
Lens Mount	N/A		
Lens	3x AF / 3-9 mm	2.4x AF / 9-22 mm	
FOV	110° (Wide); 36° (Tele)	34.1° (Wide); 14.4° (Tele)	
F Number	F1.3 (Wide), F2.2 (Tele)	F1.6 (Wide), F2.3 (Tele)	
P Iris	Y		
Focus Mode	Auto, Push AF, Zoom Trigger AF, Manual		
Digital Zoom	10x		
PTZ OPTIONS			
Pan Travel	N/A		
Tilt Travel	N/A		
Manual Speed	N/A		
Presets	N/A		
Preset Accuracy	N/A		
Preset Speed	N/A		
Sequence	N/A		
Auto Pan	N/A		
Cruise	N/A		
Proportional Pan /Tilt	N/A		
Home Function	N/A		
Auto Flip	N/A		
Image Rotation	Mirror / 0° / 90° / 180° / 270°		
STREAMING OPTIONS			
Compression	H.265 / H.264 / MJPEG		
ONVIF Profile	S / T / G support		
Streaming Support / Encoding Channels	Up to Quad Stream support		
Stream*	NTSC: H.265/H.264 1080p @60fps + H.265/H.264 720p @30fps PAL: H.265/H.264 1080p @50fps + H.265/H.264 1280 X 1024 @25fps or NTSC: H.265/H.264 1080p @30fps + H.265/H.264 1080p @30fps PAL: H.265/H.264 1080p @25fps + H.265/H.264 1080p @25fps		
Stream 1 Max Resolution and Max FPS	NTSC: H.265/H.264 1080p @60fps PAL: H.265/H.264 1080p @50fps		
Stream 2 Max when Stream 1 is set to Max Resolution and FPS	NTSC: H.265/H.264 720p @30fps PAL: H.265/H.264 1280 X 1024 @25fps		
Stream 1 "Standard" Resolution and FPS	NTSC: H.265/H.264 1080p @30fps PAL: H.265/H.264 1080p @25fps		
Stream 2 Max when Stream 1 is set to "Standard" Resolution and FPS	NTSC: H.265/H.264 1080p @30fps PAL: H.265/H.264 1080p @25fps		
Min/Max Bitrate	64 / 20480 (kbps)		
Max Number Unicast Streams	16		

\* MJPEG streaming also supported, maximum resolution is 1280 x 1024

OPERATION	
ICR	Auto / On / Off / Smart
LED Numbers	N/A
LED Distance	N/A
White Balance*2	Auto / ATW / Smart / One Push / Smart One Push / Manual
NR	3D / 2D / Color
BLC	On / Off
WDR	True WDR (120dB)
DIS / EIS	N/A
Motion Detection	On / Off / Schedule
Privacy Mask Type	8 Colors / 5 Sets
Tamper Alarm	On / Off / Schedule
Audio Type	Line in / Line Out, 5 of 9 Pin Terminal Block
Audio In	G.711 / G.726 / AAC / LPCM
Audio Out	G.711 / G.726 / AAC / LPCM
Audio Sample Rate	AAC: 48000 / Others: 8000
Analog Out	Y (Requires optional part SY-IPCA-BNC =>Rev.2)
Heater	N/A
Fan	N/A
Alarm Input	1 Set, 5V 10kΩ Pull Up
Alarm Output	1 Set, Photo Relay Output 300V DC / AC
Event Notification	HTTP / FTP / SMTP
Synectics Intelligent Edge Recording*2	Y
Onboard Storage	Up to 60 Seconds (Synectics Intelligent Edge Recording only)
SD Card Support	micro SD / SDHC / SDXC Card Support
Ethernet Connector	RJ-45 Cable
Power Connector	2 Pin Terminal Block
I/O Connector	4 of 9 Pin Terminal Block
Protocol	ARP, PPPoE, IPv4/v6, ICMP, IGMP, QoS, TCP, UDP, DHCP, UPnP, SNMP, SMTP, RTP, RTSP, HTTP, HTTPS, FTP, NTP, DDNS, ONVIF S, ONVIF G, ONVIF T
Security	User Authentication / HTTPS / IP Filter / IEEE 802.1X
ENVIRONMENTAL	
Operating Temperature	-30°C ~ 55°C (-22° ~ 131°F)
Storage Temperature	-20°C ~ 70°C (-4° ~ 158° F)
Humidity	10% ~ 90%, No Condensation
Vandal Resistant	N/A
IP Rating	N/A
GENERAL	
Power*3	PoE (802.3af) / DC12V / AC24V
Power Priority 1	PoE
Power Priority 2	DC
Power Priority 3	AC
Power Failover	PoE to DC/AC / DC/AC to PoE
PoE Classification	Class 0
Power Consumption (Total Unit)	Max: 4.48W
Dimensions	ø 124.9 x 190.3 mm (ø 4.92" x 7.49")
Weight	405 g (0.90 lb)
Certification	CE / FCC
REPLACEMENT PARTS	
SY-ICMD-CB	Replacement Clear Bubble (No Trim Ring)
SY-ICMD-SB	Replacement Smoked Bubble (No Trim Ring)
SY-ICMD-TR	Replacement Trim Ring (No Bubble)
SY-ICMD-GB	Replacement Gold Bubble (No Trim Ring)*1
SY-ICTD-BB	Replacement SY-ICTD back box only. No camera, no bubble

NOTE: \*1 Special order- Minimum Order Quantities apply. \*2 Features are related to the firmware version. Please contact your Synectics representative for more details. \*3 If multiple power inputs are to be used simultaneously on the camera (such as AC power + PoE or DC power + PoE) all power supplies must be isolated power supplies.

## Diagrams



Cut hole size: 104 mm