

# 12MP IP Outdoor Fisheye Camera with Edge De-Warping

## SY-FEX-XYU

The Synectics 12MP Fisheye Camera matches high resolution dual stream versatile picture layout with compact aesthetics.



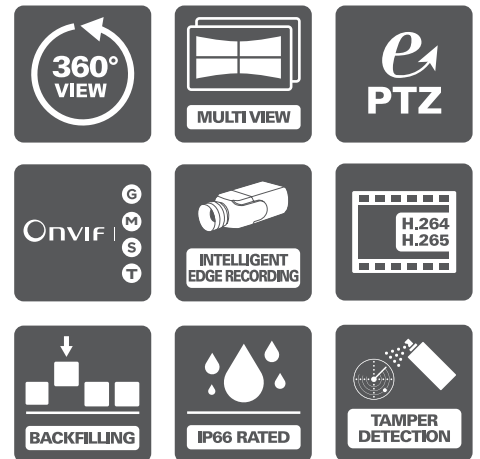
The Synectics 12MP HD multi-stream IP fisheye camera is equipped with a Sony Exmor™ progressive scan CMOS sensor providing outstanding video resolution.

The camera delivers full hemispherical field of view and simultaneous ability to select a number of optional views including a quad view complete with individual electronic PTZ.

This specific variation of the 12MP Fisheye camera, which has been developed for outdoor use, has an IP66 rating.

This versatile camera is able to be mounted in various orientations using compatible mounting accessories. With the flexibility this camera can offer it is the ideal choice for many locations to provide wide area surveillance coverage.

\*NOTE: Image for representation only, model is supplied with RJ-45 pig-tail.


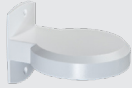


# Specifications

CAMERA		SY-FEX-XYU
Image Sensor	12MP Sony Exmor 1/1.7" Progressive Scan CMOS	
Effective Pixels	4000 (H) x 3000 (V)	
Resolution	H.264/H.265 (2976 * 2976), (2048 x 2048), (2048 x 1536), (1920 x 1080), (1600 x 1200), (1408 x 1408), (960 x 960), (960 x 720), (960 x 544) MJPEG - Full HD 1080p, (1600 x 1200), (1408 x 1408), (960 x 960), (960 x 720), (960 x 544)	
Min Illumination Color	0.1 Lux	
Min Illumination B&W	0.01 Lux	
Shutter Speed	1 ~ 1/10000 sec	
LENS		
Lens Mount	N/A	
Lens	1.65 mm Fisheye Lens	
FOV	360° (H) x 190° (V)	
F Number	F2.0	
P Iris	N	
Focus Mode	N/A	
Digital Zoom	8x	
PTZ OPTIONS		
Pan Travel	N/A	
Tilt Travel	N/A	
Manual Speed	N/A	
Presets	N/A	
Preset Accuracy	N/A	
Preset Speed	N/A	
Sequence	N/A	
Auto Pan	N/A	
Cruise	N/A	
Proportional Pan / Tilt	N/A	
Home Function	N/A	
Auto Flip	N/A	
Image Rotation	Flip / Mirror / Inverse / Portrait	
Digital PTZ	ePTZ	
STREAMING OPTIONS		
Compression	H.264 / H.265 / MJPEG	
ONVIF Profile	G / M / S / T	
Stream	Single Stream: H.264/H.265 2976 x 2976 @ 27 fps, 2048 x 2048 @ 30 fps Dual Stream: H.264/H.265 2048 x 2048 @ 25/30fps   1920 x 1080 @ 25/30fps	
Stream 1 Max Resolution and FPS	H.264/H.265 2976 x 2976 @ 27 fps	
Stream 2 Max When Stream 1 Set Max Resolution and FPS	H.264/H.265 960x960 @ 15fps	
Min/Max Bitrate	64/20480 (kbps)	

OPERATION	
ICR	Auto / On / Off / Smart
LED Numbers	4
LED Distance	Up to 5 m
White Balance	Manual / AWB / ATW / One Push
NR	2D / 3D / Color
BLC	On / Off
WDR	Gamma WDR
DIS / EIS	N
Motion Detection	On / Off / Schedule
Privacy Mask Type	8 Colors / 5 Sets
Tamper Alarm	On / Off / Schedule
Audio Type	N/A
Audio In	N/A
Audio Out	N/A
Audio Sample Rate	N/A
Analog Out	N/A
Heater	N/A
Fan	N/A
Alarm Input	1 Set 5V 10kΩ Pull Up
Alarm Output	1 Set Photo Relay Output 300V DC / AC
Event Notification	HTTP / FTP / SMTP
SD Card Support	microSDXC 128GB
Ethernet Connector	RJ-45 pig-tail cable
Power Connector	PoE only
I/O Connector	8 Pin Terminal Block, Pitch 2.5 mm
Protocol	IPv4/v6, TCP/IP, UDP, RTP, RTSP, HTTP, HTTPS, ICMP, FTP, SMTP, DHCP, PPPoE, UPnP, IGMP, SNMP, QoS, ONVIF G, ONVIF M, ONVIF S, ONVIF T
Security	HTTPS / IP Filter / IEEE 802.1X
ENVIRONMENTAL	
Operating Temperature	-10°C ~ 50°C (14°F ~ 122° F)
Storage Temperature	-20°C ~ 65°C (-4°F ~ 149° F)
Humidity	10% ~ 90%, No Condensation
Vandal Resistant	IK10
IP Rating	IP66
GENERAL	
Power	PoE
Power Priority	N/A
Power Failover	N/A
PoE Classification	Class 0
Power Consumption (Total Unit)	Maximum of PoE: 9.5W
Dimensions	Ø 130 x 61.5 mm / Ø 5.1 x 2.4"
Weight	330 g / 0.73 lb
Certification	CE / FCC

Specifications subject to change. E &amp; OE.

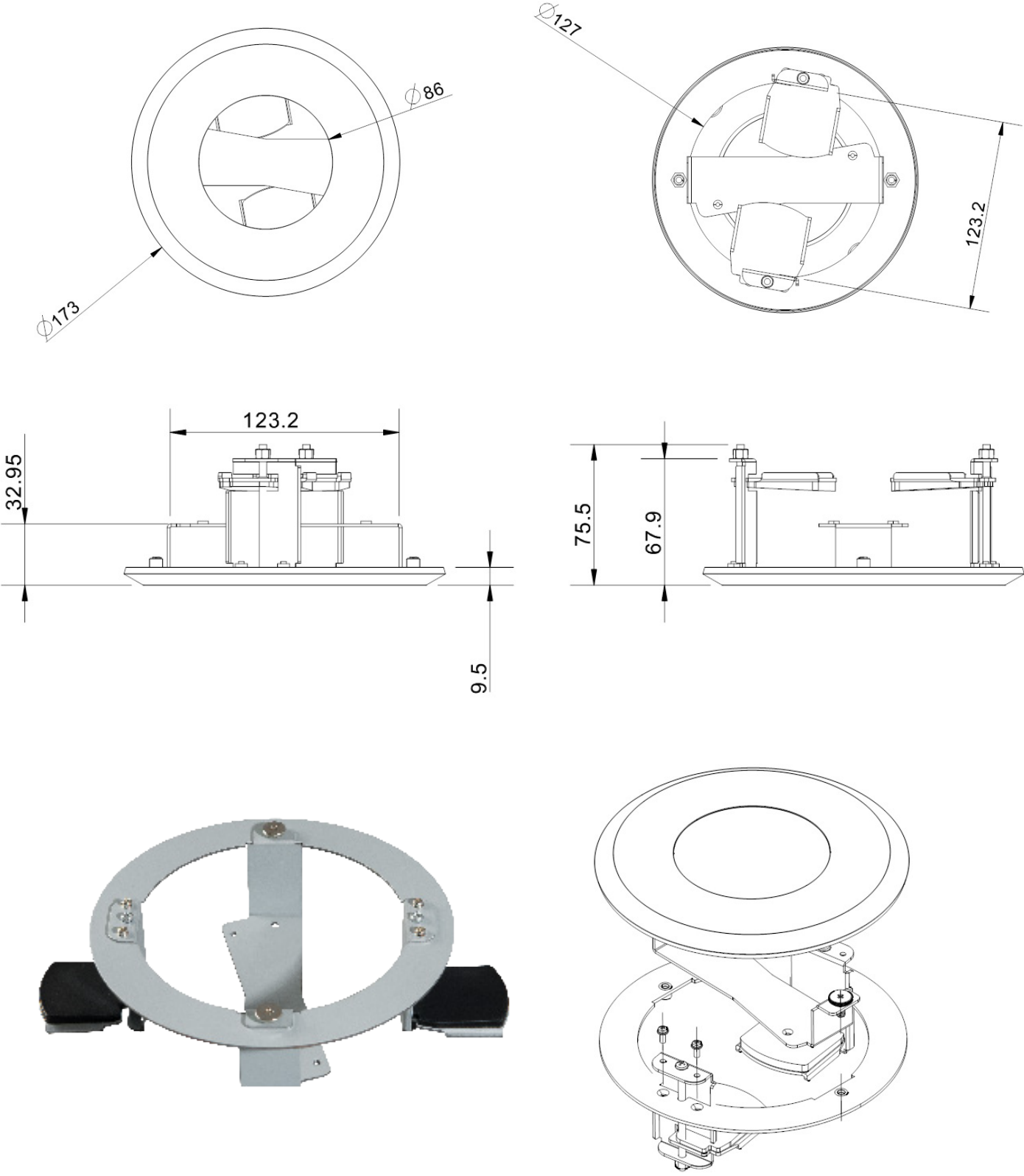
PRODUCT		Description	Outdoor / External <sup>*1</sup>
SY-FEE-ICM-22		Internal PTZ In Ceiling Mount <sup>*1</sup>	✓
SY-FEE-WM-22		Internal PTZ Pendant / Wall Bracket Adaptor <sup>*1</sup>	✓

\*1 Standalone accessory, no further accessories are required.



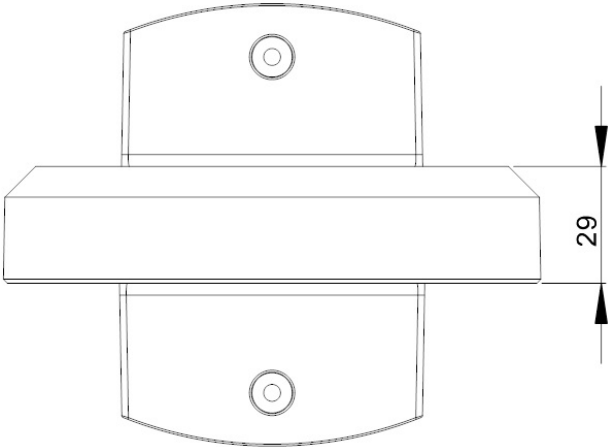
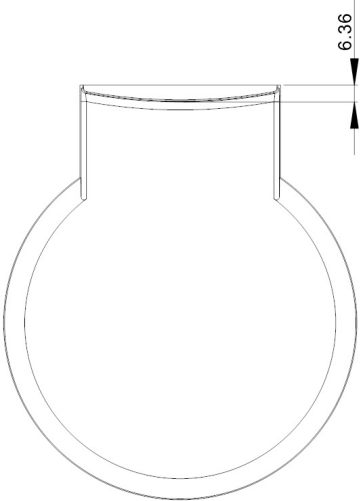
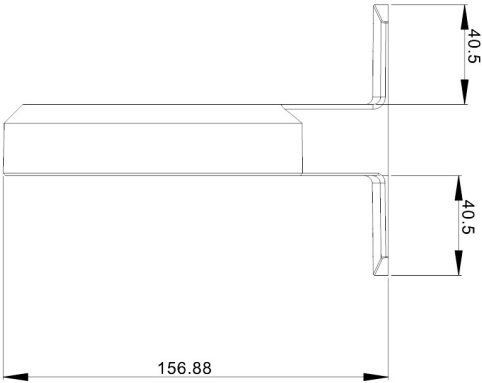
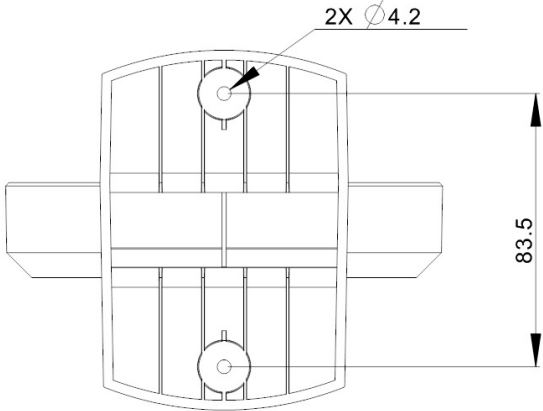
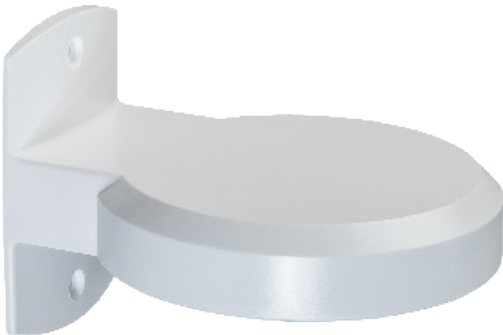
### Fish Eye Accessories Addendum and Diagrams

#### IN CEILING MOUNT – SY-FEE-ICM -22



Cut hole size: 147 mm

WALL MOUNT BRACKET – SY-FEE-WM-22



Specifications subject to change. E & OE.