

# 4K (8MP) IP Vandal Resistant Dome Camera

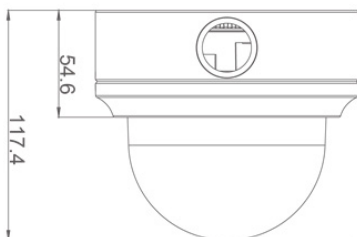
## SY-VRD2.3-S-LLU

The Synectics 4K Vandal Resistant Dome matches amazing picture performance with compact aesthetics.



The Synectics 4K (8MP/UHD) IP multi-stream fixed dome camera is equipped with a Sony Exmor progressive scan CMOS sensor, providing outstanding video resolution and the capability to stream H.264 and H.265 simultaneously.

The vandal-resistant dome provides real-time 4K 30fps simultaneously with a second stream. A 2.3x lens and ONVIF Profile G, M, S and T compliance ensure easy setup, while ratings of IP66 and IK10 guarantee optimum performance under challenging conditions.



4K UHD	REAL TIME	ONVIF G M S T	2.3x ZOOM
60 FPS	LOW LIGHT	IK10	CYBERSECURITY
H.265	TWDR	IP66 RATED	REMOTE AF / ZOOM
H.264	A • F	TAMPER DETECTION	BACKFILLING
INTELLIGENT EDGE RECORDING	AAC	POWER FAILOVER	

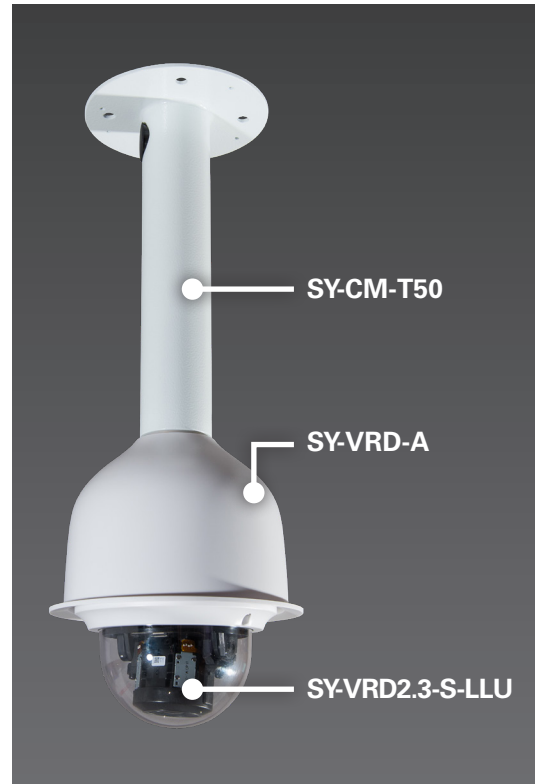
# Specifications

CAMERA		SY-VRD2.3-S-LLU
Image Sensor		8MP Sony 1/1.8" Progressive CMOS
Effective Pixels		3840 (H) x 2160 (V)
Resolution		H.265/H.264- 3840 X 2160 4K (UHD) / 1080P / SXGA / HD 720P / XGA / qHD / SVGA / D1 / VGA / CIF / QVGA. MJPEG- 1080P / SXGA / HD 720P / XGA / qHD / SVGA / D1 / VGA / CIF / QVGA
Min Illumination Color		0.04 lux
Min Illumination Black and White		0.002 lux
Shutter Speed		1 ~ 1/10000 Second
LENS		
Lens Mount		N/A
Lens		2.3x AF / 4.5~10 mm
FOV		Approx HFOV: 101.7° (Wide), 46° (Tele) Approx VFOV: 53.9° (Wide), 25.9° (Tele)
f Number		F1.7 (Wide): F2.6 (Tele) ±5%
P Iris		Y
Focus Mode		Push AF, Zoom Trigger AF, Manual
Digital Zoom		10x
PTZ OPTIONS		
Pan Travel		N/A
Tilt Travel		N/A
Manual Speed		N/A
Presets		N/A
Preset Accuracy		N/A
Preset Speed		N/A
Sequence		N/A
Auto Pan		N/A
Cruise		N/A
Proportional Pan/Tilt		N/A
Home Function		N/A
Auto Flip		N/A
Image Rotation		Mirror / 0° / 90° / 180° / 270°
STREAMING OPTIONS		
Compression		H.265 / H.264
ONVIF Profile		G / M / S / T
Stream		NTSC: H.265/H.264- 4K @30fps + H.265/H.264/MJPEG 960 X 544 @30fps PAL: H.265/H.264/ 4K @25fps + H.265/H.264/MJPEG 1080p @25fps
Stream 1 Max Resolution and Max FPS		NTSC: H.265/H.264/ 4K @30fps PAL: H.265/H.264/ 4K @25fps
Stream 2 Max when Stream 1 is set to Max Resolution and FPS		NTSC: H.265/H.264/MJPEG 960 X 544 @30fps PAL: H.265/H.264/MJPEG 1080p @25fps
Stream 1 "Standard" Resolution and FPS		NTSC: H.265/H.264/ 4K @30fps PAL: H.265/H.264/ 4K @25fps
Stream 2 Max when Stream 1 is set to "Standard" Resolution and FPS		NTSC: H.265/H.264/MJPEG 960 X 544 @30fps PAL: H.265/H.264/MJPEG 1080p @25fps
Stream 1 1080p Resolution and Max FPS		NTSC: H.265/H.264/MJPEG 1080p @60fps PAL: H.265/H.264/MJPEG 1080p @50fps
Stream 2 Max when Stream 1 is set to 1080p Resolution and Max FPS		NTSC: H.265/H.264/MJPEG 1080p @60fps PAL: H.265/H.264/MJPEG 1080p @50fps
Stream 1 1080p Resolution "Standard" and Max FPS		NTSC: H.265/H.264/MJPEG 1080p @60fps PAL: H.265/H.264/MJPEG 1080p @50fps
Stream 2 Max when Stream 1 is set to 1080p Resolution "Standard" and Max FPS		NTSC: H.265/H.264/MJPEG 1080p @60fps PAL: H.265/H.264/MJPEG 1080p @50fps
Min/Max Bitrate		64 / 20480 (kbps)
Max Number Unicast Streams		17

OPERATION	SY-VRD2.3-S-LLU
ICR	Auto / On / Off / Smart
LED Numbers	N/A
LED Distance	N/A
White Balance*2	Auto / ATW / Smart / One Push / Smart One Push / Manual
NR	3D / 2D / Color
BLC	On / Off
WDR	TrueWDR (120dB)
DIS / EIS	N/A
Motion Detection	On / Off / Schedule
Privacy Mask Type	8 Colors / 5 sets
Tamper Alarm	On / Off / Schedule
Audio Type	Line in / Line Out: 5 of 9 Pin Terminal Block
Audio In	G.711 / G.726 / AAC / LPCM
Audio Out	G.711 / G.726 / AAC / LPCM
Audio Sample Rate	ACC: 48000 (Other: 8000)
Analog Out	Y (Requires optional part SY-IPCA-BNC =>Rev.1)
Heater	Y
Fan	N/A
Alarm Input	1 Set 5V 10kΩ Pull Up
Alarm Output	1 Set Photo Relay Output 300V DC/AC
Event Notification	HTTP / FTP / SMTP
Synectics Intelligent Edge Recording*2	Y
On Board Storage	Up to 60 Seconds (Synectics Intelligent Edge Recording only)
SD Card Support	microSDXC 128GB Support (Support for microSD / microSDHC / microSDXC card)
Ethernet Connector	RJ-45 Cable
Power Connector	2 Pin Terminal Block
I/O connector	4 of 9 Pin Terminal Block
Protocol	ARP, PPPoE, IPv4/v6, ICMP, IGMP, QoS, TCP, UDP, DHCP, UPnP, SNMP, SMTP, RTP, RTSP, HTTP, HTTPS, FTP, NTP, DDNS, ONVIF S, ONVIF G, ONVIF M, ONVIF T
Security	User Authentication / HTTPS / IP Filter / IEEE 802.1X
ENVIRONMENTAL	
Operating Temperature	-30°C ~ 55°C (-22° ~ 131°F)
Storage Temperature	-20°C~70°C (-4°F~158°F)
Humidity	10% ~ 90%, No Condensation
Vandal Resistant	IK10
IP Rating	IP66
GENERAL	
Power*3	AC24V / PoE(802.3at) / DC12V
Power Priority 1	AC
Power Priority 2	PoE
Power Priority 3	DC
Power Failover	AC to DC / DC to AC / PoE to DC / DC to PoE / Not supported between AC and PoE.
PoE Classification	PoE IEEE802.3af, Class 0
Power Consumption (Total Unit)	Max DC: 9.72W Max AC: 8.7W PoE Max: 9.27W
Dimensions	Ø 133.8x117.4 mm / (Ø 5.2" x 4.6")
Weight	760 g (1.68 lb)
Certificates	CE / FCC
REPLACEMENT PARTS	
SY-VRD-CC	Clear bubble and trim ring
SY-VRD-SC	Smoked bubble and trim ring
SY-VRD-BB	Back housing section only (no bubble, no trim ring, no camera module)

NOTE: \*1 Special order- Minimum Order Quantities apply. \*2 Features are related to the firmware version. Please contact your Synectics representative for more details. \*3 If multiple power inputs are to be used simultaneously on the camera (such as AC power + PoE or DC power + PoE) all power supplies must be isolated power supplies.

PRODUCT	Description	Indoor / Internal Only	Outdoor / External <sup>4</sup>
SYVRD-ICM	In Ceiling Mount (Flush Mount Adaptor)	✓	
SYVRD-WM	Indoor Plastic Wall Mount for SYVRD Series	✓	
SYVRD-A	Adaptor to allow Wall / Pendant and Universal connector Mounts		✓
SY-CM-P	Standard Wall / Pendant Mount		✓
SY-CM-MP	Mini Wall / Pendant Mount		✓
SY-CM-T25	25cm Pole	✓	
SY-CM-T50	50cm Pole	✓	
SY-CM-T100	100cm Pole	✓	
SY-CM-15NTP	Synectics to 15NTP Universal adaptor		✓
SY-CM-WMB	Wall Mount Box		✓
SY-CM-CWM	Corner Mount Box		✓
SY-CM-PMB	Pole Mount Box		✓



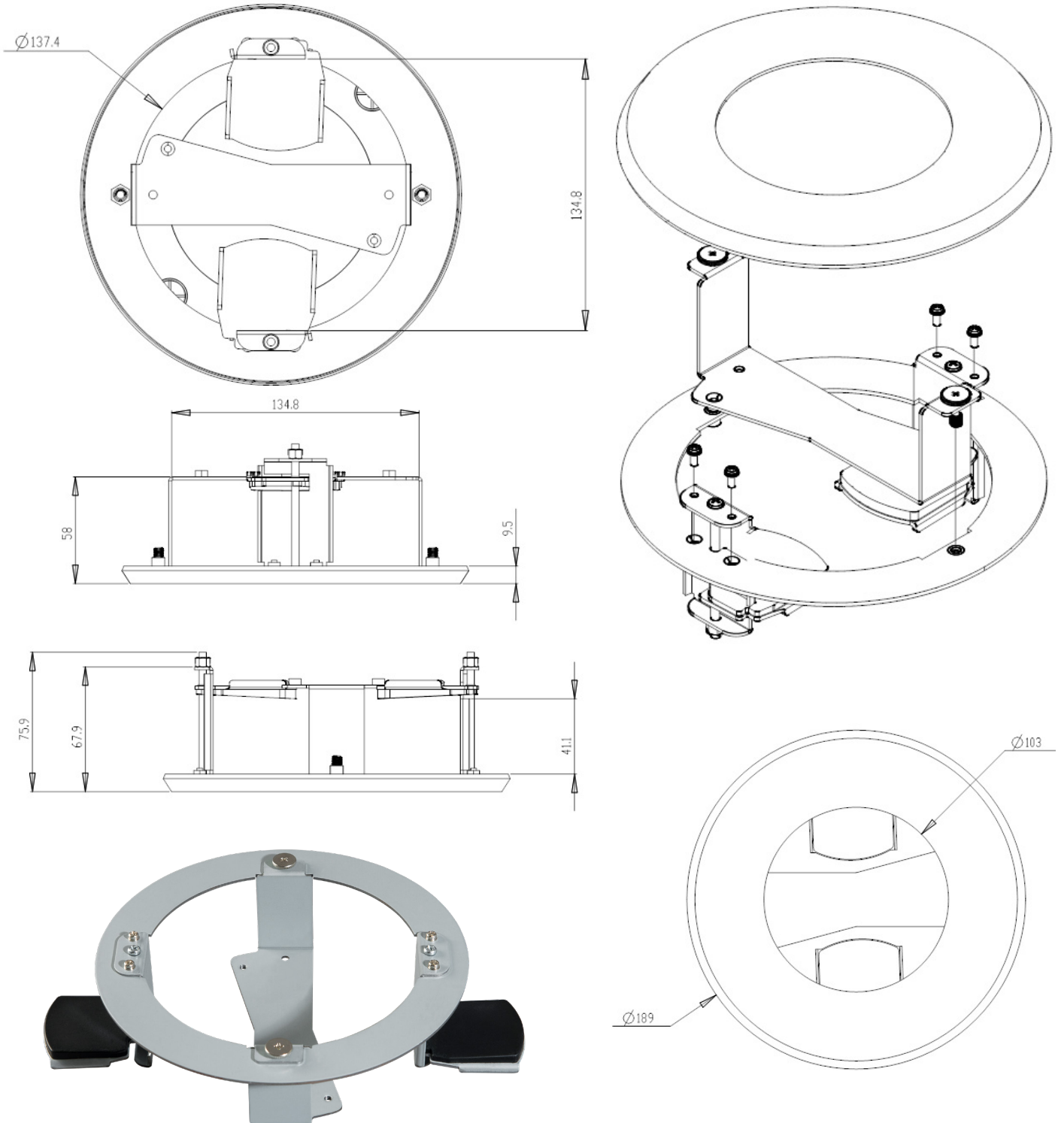
\*4 Camera and accessories can be used for internal configuration.

The following are required in combination with other accessories for mounting requirements.

PRODUCT	SY-VRD-A	SY-CM-P	SY-CM-MP	SY-CM-T25	SY-CM-T50	SY-CM-T100	SY-CM-15NTP	SY-CM-WMB	SY-CM-CWM	SY-CM-PMB
Wall Mounting	Required	✓	✓					✓	✓	✓
Pole Mounting	Required			✓	✓	✓				
Non-Synectics Bracketry	Required						Required			

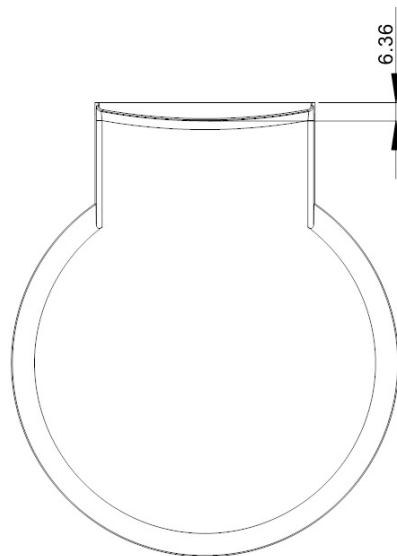
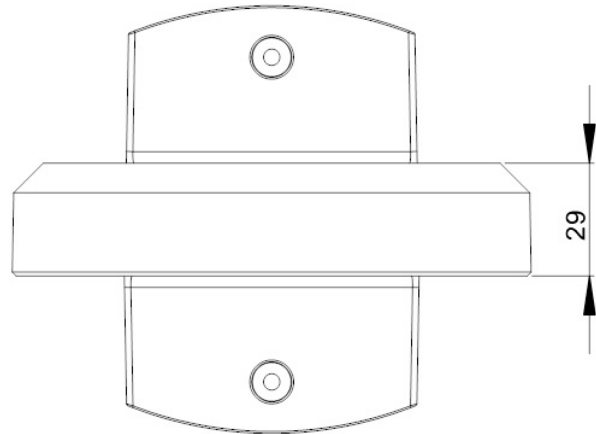
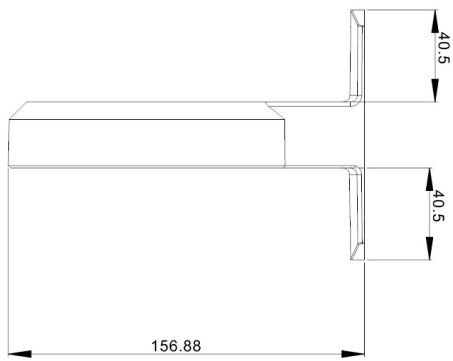
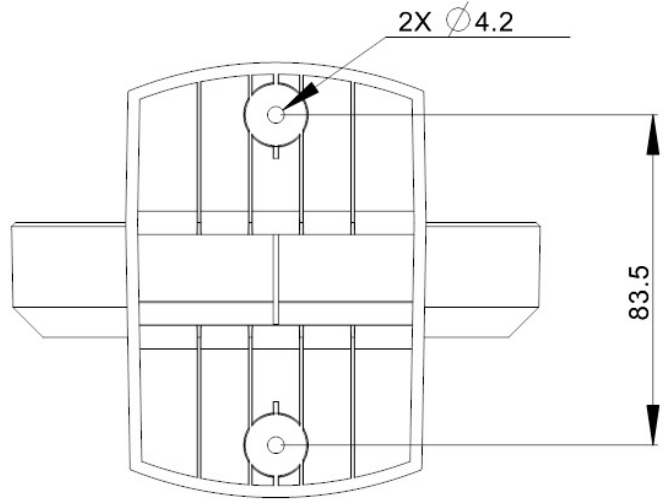
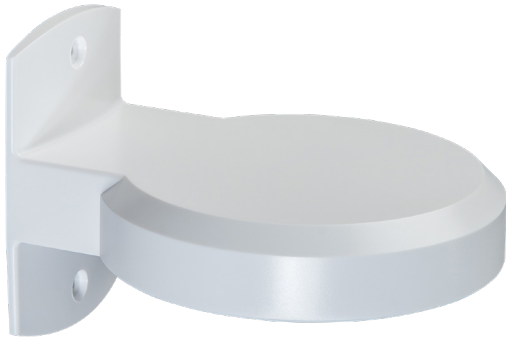
## Accessories

### IN CEILING MOUNT – SY-VRD-ICM

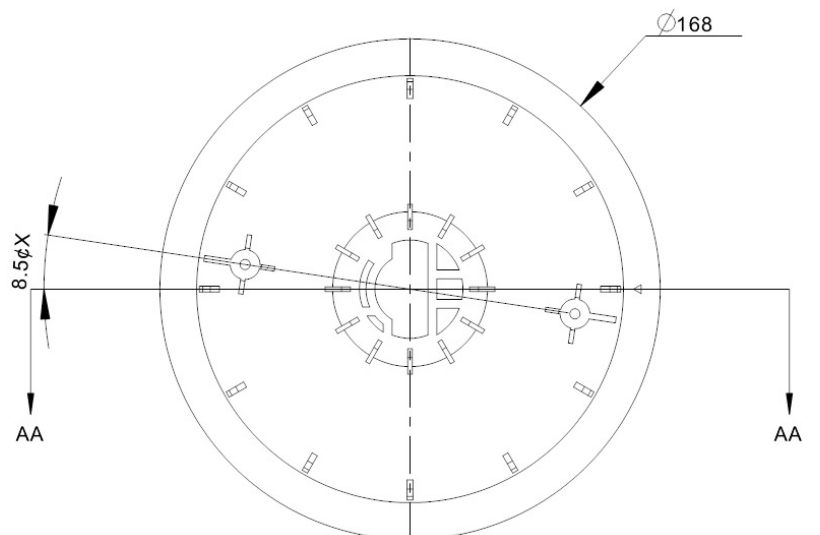
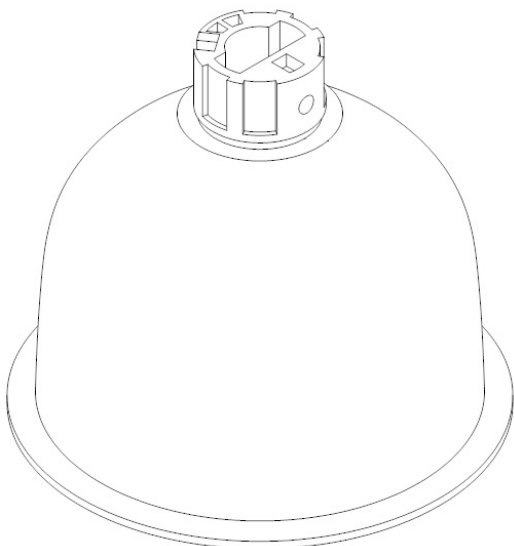
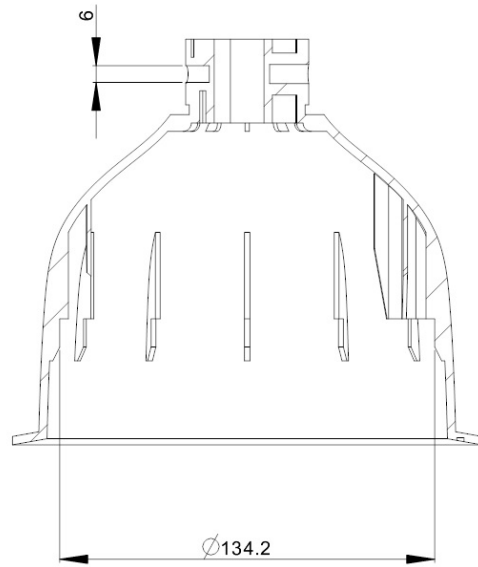
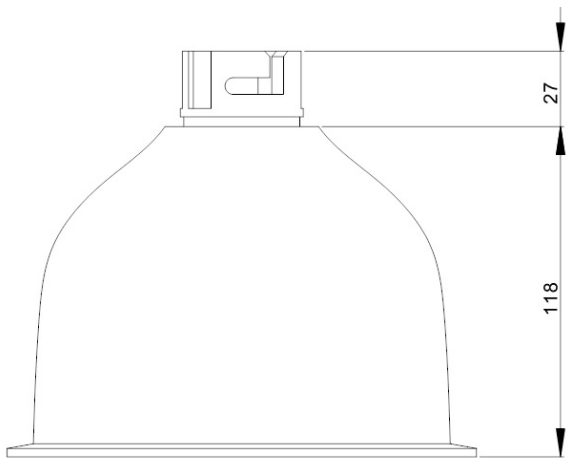


Cut hole size: 160 mm

WALL MOUNT — SY-VRD-WM



DOME ADAPTOR – SY-VRD-A



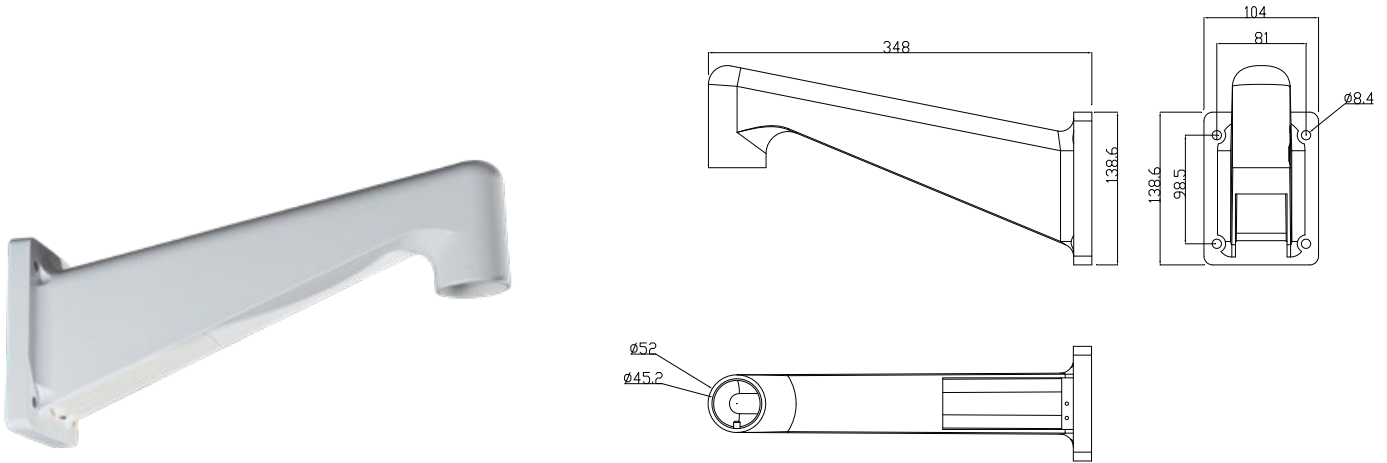
**STANDARD WALL MOUNT — SY-CM-P**

Dimensions (L x W x D)

348 x 104 x 138.6 mm / 13.70 x 4.09 x 5.45"

Weight

1.5 kg / 3.3 lbs



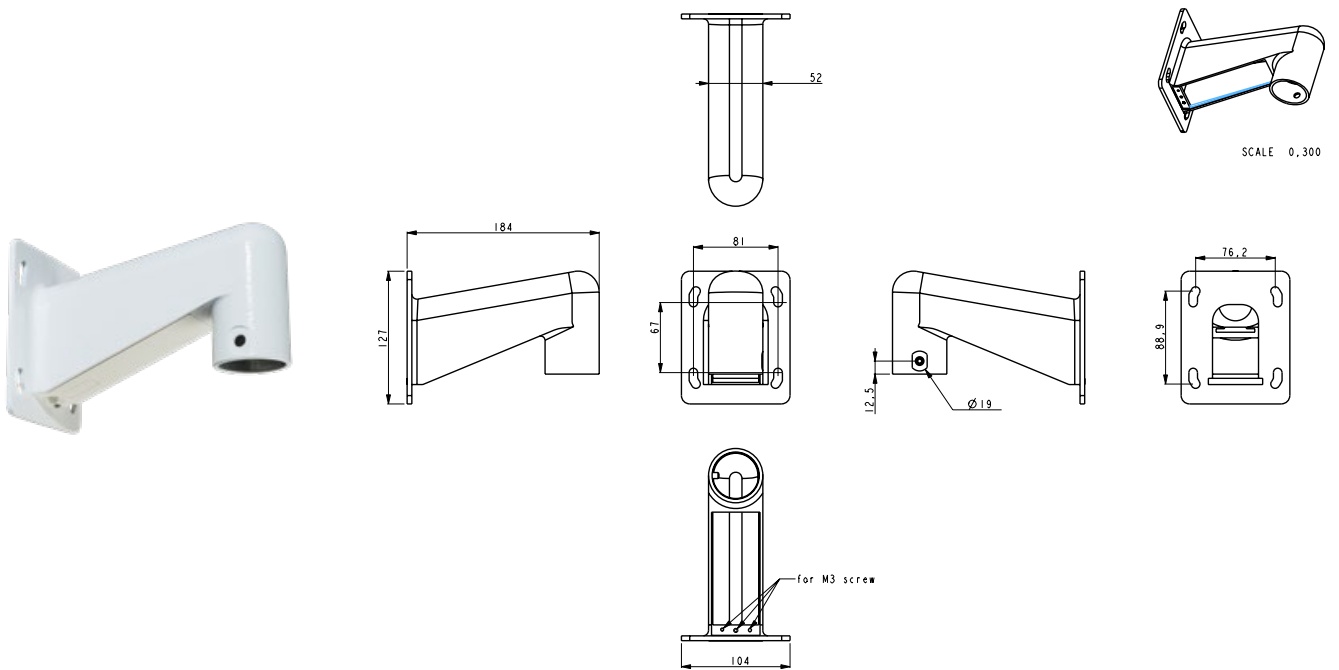
**MINI WALL MOUNT — SY-CM-MP**

Dimensions (L x W x D)

184 x 104 x 127 mm / 7.24" x 4.09 x 5"

Weight

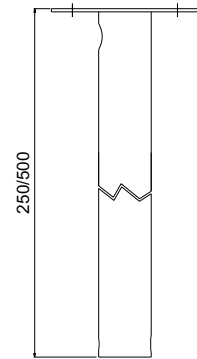
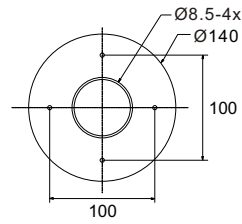
0.6 kg / 1.32 lbs





**STRAIGHT TUBE — SY-CM-T25 / T50 / T100**

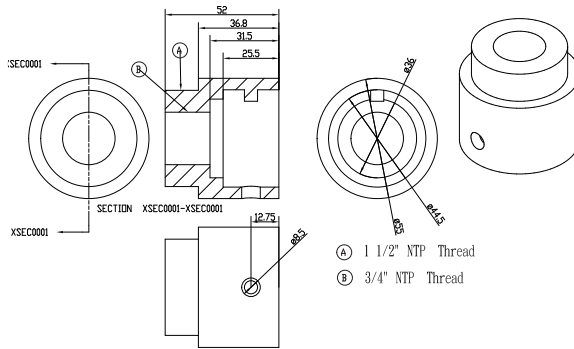
Height	250 mm / 9.8" 500 mm / 19.7" 1000 mm / 39.37"
Diameter	50 mm / 2"
Weight	1.0 kg (2.2 lbs) / 1.8 kg (4.0 lbs)



Unit: mm

**1.5" NPT MOUNT ADAPTOR COMPATIBLE WITH PELCO CAMERA POLES — SY-CM-15NPT**

Dimensions	Φ55 x 52 mm / 2.16 x 2.04"
------------	----------------------------

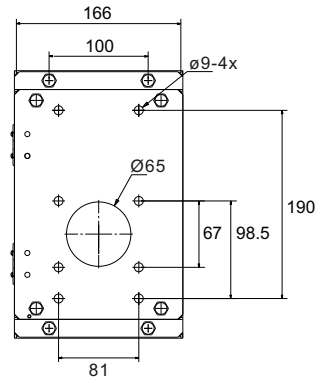
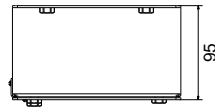


- (A) 1 1/2" NPT Thread
- (B) 3/4" NPT Thread

**WALL MOUNT BOX — SY-CM-WMB**

Dimensions (L x W x D) 270 x 166 x 95 mm / 10.62 x 6.53 x 3.74"

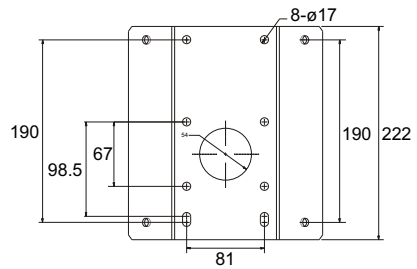
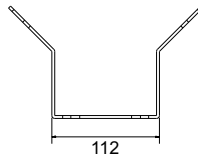
Weight 2.2 kg / 4.9 lbs



**CORNER MOUNT BOX — SY-CM-CWM**

Dimensions (L x W x D) 222 x 204 x 117 mm / 8.74 x 8.03 x 4.60"

Weight 2.0 kg / 4.4 lbs



**POLE MOUNT BOX — SY-CM-PMB**

Dimensions (L x W x D) 270 x 166 x 155 mm / 10.62 x 6.53 x 6.10"

Weight 3.2 kg / 7.1 lbs

