

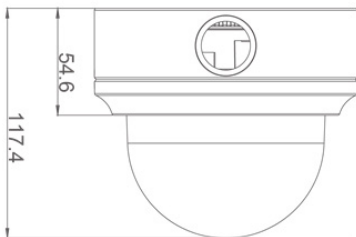
2MP Low Light IP Vandal Resistant IR Dome Camera SY-VRD3-IRS-LLB

The Synectics Low Light Vandal Resistant IR Dome Camera matches great picture performance with compact aesthetics.



The Synectics 2MP Full HD multi-stream fixed dome IP camera is equipped with a Sony Exmor™ progressive scan CMOS sensor providing outstanding video resolution, and the capability to stream H.264 and H.265 simultaneously.

The vandal resistant fixed IR dome provides full 1080p HD 50/60fps streaming or true WDR at 25/30fps, along with a 3x AF zoom lens. ONVIF Profile G, M, S and T compliance ensures easy set up while IR LEDs, and ratings of IP66 and IK10 guarantee optimum performance under challenging conditions.



Specifications

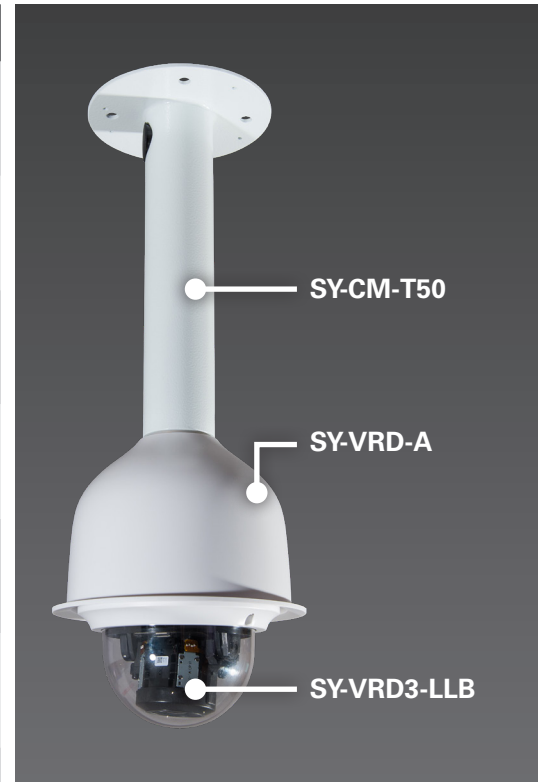
CAMERA		SY-VRD3-IRS-LLB
Image Sensor		2MP Sony 1/2.8" Progressive CMOS
Effective Pixels		1945 (H) x 1097 (V)
Resolution		H.265/H.264/MJPEG- Full HD 1080p / SXGA / HD 720P / XGA / SVGA / D1 / VGA / CIF / QVGA
Min Illumination Color		0.02 Lux
Min Illumination B&W		0.001 Lux (0.0 Lux IR LED On)
Shutter Speed		1 ~ 1/10000 sec
LENS		SY-VRD3-IRx-LLB
Lens Mount		N/A
Lens		3x AF / 3-9mm
FOV		110° (Wide); 36° (Tele)
F Number		F1.3 (Wide), F2.2 (Tele)
P Iris		Y
Focus Mode		Push AF, Zoom Trigger AF, Manual
Digital Zoom		10x
PTZ OPTIONS		
Pan Travel		N/A
Tilt Travel		N/A
Manual Speed		N/A
Presets		N/A
Preset Accuracy		N/A
Preset Speed		N/A
Sequence		N/A
Auto Pan		N/A
Cruise		N/A
Proportional Pan /Tilt		N/A
Home Function		N/A
Auto Flip		N/A
Image Rotation		Mirror / 0° / 90° / 180° / 270°
STREAMING OPTIONS		
Compression		H.265 / H.264
ONVIF Profile		G / M / S / T support
Streaming Support / Encoding Channels		Up to Quad Stream support
Stream*		NTSC: H.265/H.264 1080p @60fps + H.265/H.264 720p @30fps PAL: H.265/H.264 1080p @50fps + H.265/H.264 1280 X 1024 @25fps or NTSC: H.265/H.264 1080p @30fps + H.265/H.264 1080p @30fps PAL: H.265/H.264 1080p @25fps + H.265/H.264 1080p @25fps
Stream 1 Max Resolution and Max FPS		NTSC: H.265/H.264 1080p @60fps PAL: H.265/H.264 1080p @50fps
Stream 2 Max when Stream 1 is set to Max Resolution and FPS		NTSC: H.265/H.264 720p @30fps PAL: H.265/H.264 1280 X 1024 @25fps
Stream 1 "Standard" Resolution and FPS		NTSC: H.265/H.264 1080p @30fps PAL: H.265/H.264 1080p @25fps
Stream 2 Max when Stream 1 is set to "Standard" Resolution and FPS		NTSC: H.265/H.264 1080p @30fps PAL: H.265/H.264 1080p @25fps
Min/Max Bitrate		64 / 20480 (kbps)
Max Number Unicast Streams		16

* MJPEG streaming also supported, maximum resolution is 1280 x 1024

OPERATION			
ICR	Auto / On / Off / Smart		
LED Numbers	8		
LED Distance	40m		
White Balance*1	Auto / ATW / Smart / One Push / Smart One Push / Manual		
NR	3D / 2D / Color		
BLC	On / Off		
WDR	True WDR (120dB)		
DIS / EIS	N/A		
Motion Detection	On / Off / Schedule		
Privacy Mask Type	8 Colors / 5 Sets		
Tamper Alarm	On / Off / Schedule		
Audio Type	Line in / Line Out, 5 of 9 Pin Terminal Block		
Audio In	G.711 / G.726 / AAC / LPCM		
Audio Out	G.711 / G.726 / AAC / LPCM		
Audio Sample Rate	AAC: 48000 / Others: 8000		
Analog Out	Y (Requires optional part SYIPCA-BNC =>Rev.1)		
Heater	Y		
Fan	N/A		
Alarm Input	1 Set, 5V 10kΩ Pull Up		
Alarm Output	1 Set, Photo Relay Output 300V DC / AC		
Event Notification	HTTP / FTP / SMTP		
Synectics Intelligent Edge Recording**	Y		
Onboard Storage	Up to 60 Seconds (Synectics Intelligent Edge Recording only)		
SD Card Support	microSDXC 128GB Support		
Ethernet Connector	RJ-45 Cable		
Power Connector	2 Pin Terminal Block		
I/O Connector	4 of 9 Pin Terminal Block		
Protocol	ARP, PPPoE, IPv4/v6, ICMP, IGMP, QoS, TCP, UDP, DHCP, UPnP, SNMP, SMTP, RTP, RTSP, HTTP, HTTPS, FTP, NTP, DDNS, ONVIF S, ONVIF G, ONVIF T, ONVIF M		
Security	User Authentication / HTTPS / IP Filter / IEEE 802.1X		
ENVIRONMENTAL			
Operating Temperature	-55°C ~ 55°C (-22° ~ 131°F)		
Storage Temperature	-20°C ~ 70°C (-4°F ~ 158°F)		
Humidity	10% ~ 90%, No Condensation		
Vandal Resistant	IK10		
IP Rating	IP66		
GENERAL			
Power*2	AC24V / PoE (802.3af) / DC12V		
Power Priority 1	AC24V		
Power Priority 2	PoE		
Power Priority 3	DC12V		
Power Failover	AC to DC / DC to AC	PoE to DC / DC to PoE	AC PoE combination not supported.
PoE Classification	Class 0		
Power Consumption (Total Unit)	Max: 11.7W		
Dimensions	Ø 133.8 x 117.4 mm / Ø 5.2 x 4.6"		
Weight	700 g / 1.54 lb		
Certification	CE / FCC		
REPLACEMENT PARTS			
SYVRD-CC	Clear bubble and trim ring		
SYVRD-SC	Smoked bubble and trim ring		
SYVRD-BB	Back housing section only (no bubble, no trim ring, no camera module)		

NOTE: *1 Features are related to the firmware version. Please contact your Synectics representative for more details. *2 If multiple power inputs are to be used simultaneously on the camera (such as AC power + PoE or DC power + PoE) all power supplies must be isolated power supplies.

PRODUCT	Description	Indoor / Internal Only	Outdoor / External ³
SYVRD-ICM	In Ceiling Mount (Flush Mount Adaptor)	✓	
SYVRD-WM	Indoor Plastic Wall Mount for SYVRD Series	✓	
SYVRD-A	Adaptor to allow Wall / Pendant and Universal connector Mounts		✓
SY-CM-P	Standard Wall / Pendant Mount		✓
SY-CM-MP	Mini Wall / Pendant Mount		✓
SY-CM-T25	25cm Pole	✓	
SY-CM-T50	50cm Pole	✓	
SY-CM-T100	100cm Pole	✓	
SY-CM-15NTP	Synectics to 15NTP Universal adaptor		✓
SY-CM-WMB	Wall Mount Box		✓
SY-CM-CWM	Corner Mount Box		✓
SY-CM-PMB	Pole Mount Box		✓



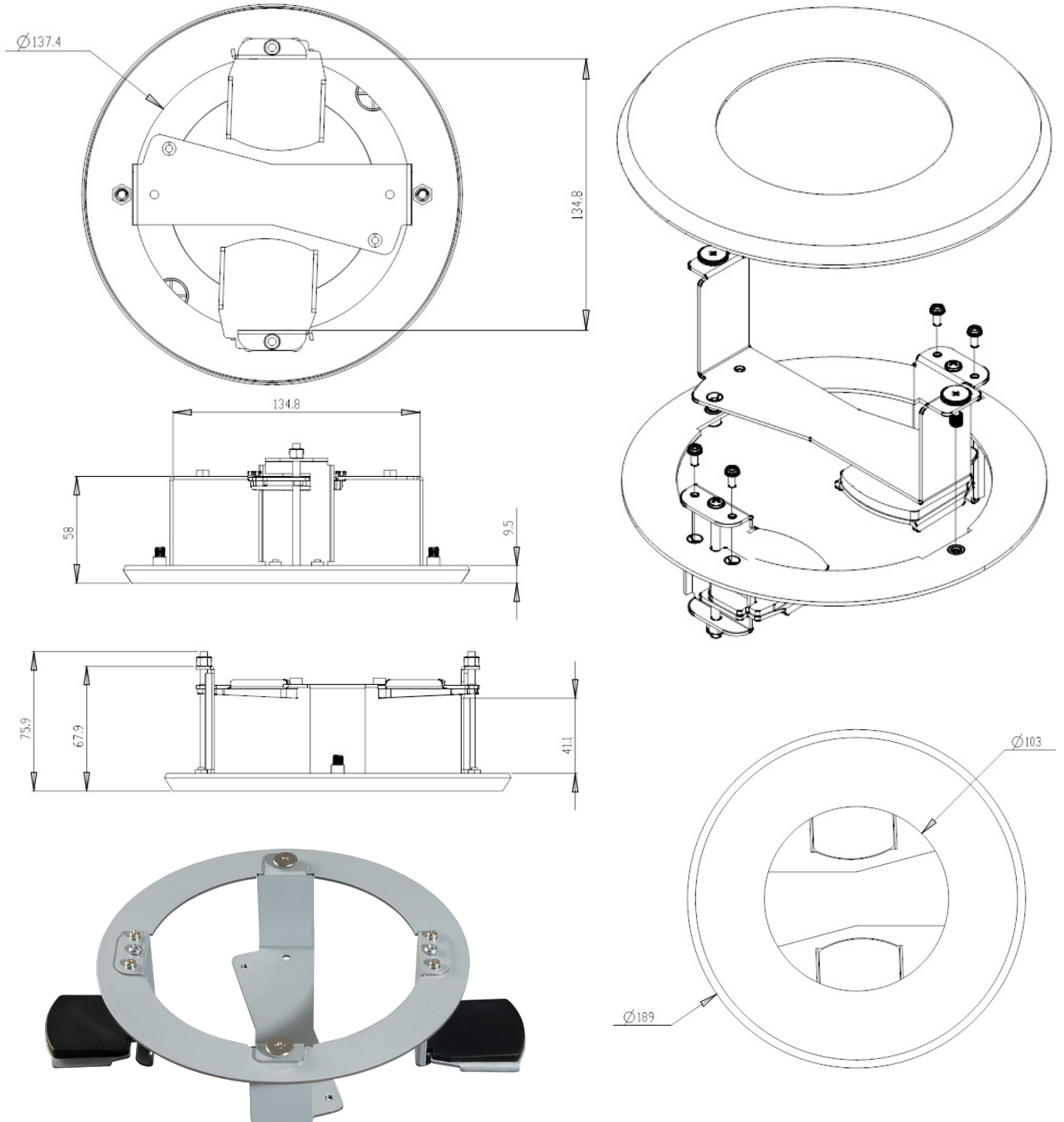
*3 Camera and accessories can be used for internal configuration.

The following are required in combination with other accessories for mounting requirements.

PRODUCT	SY-VRD-A	SY-CM-P	SY-CM-MP	SY-CM-T25	SY-CM-T50	SY-CM-T100	SY-CM-15NTP	SY-CM-WMB	SY-CM-CWM	SY-CM-PMB
Wall Mounting	Required	✓	✓					✓	✓	✓
Pole Mounting	Required			✓	✓	✓				
Non-Synectics Bracketry	Required						Required			

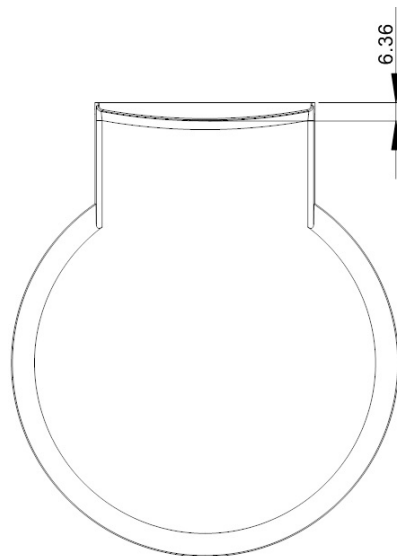
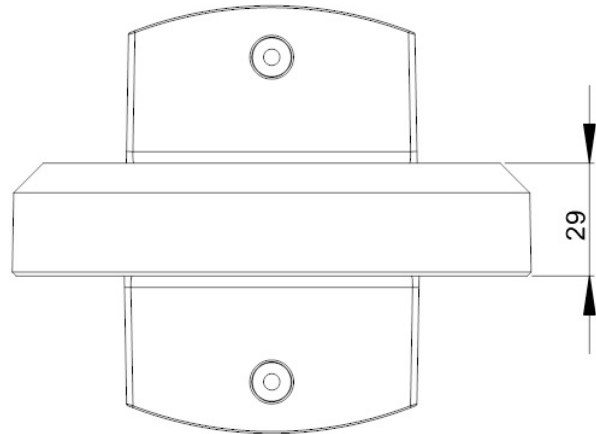
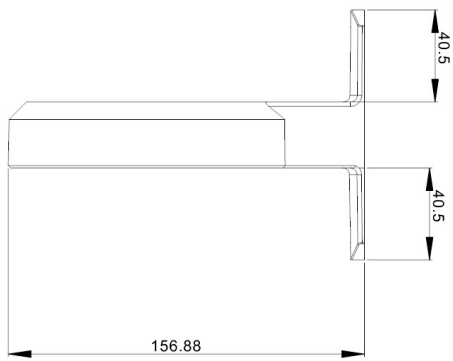
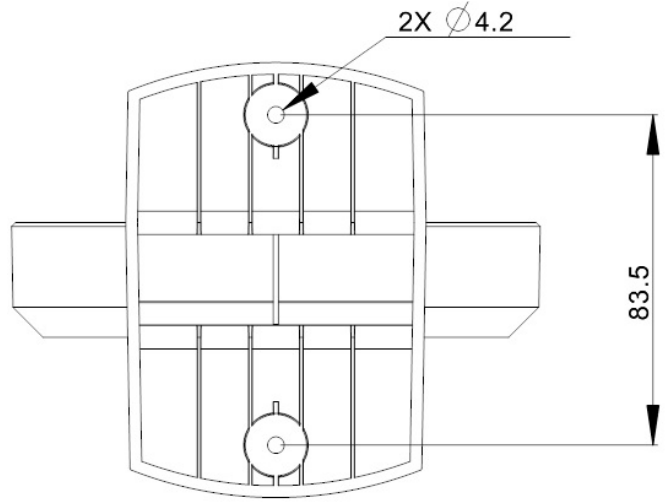
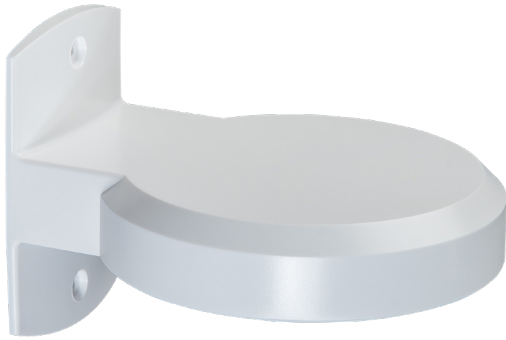
Accessories

IN CEILING MOUNT – SY-VRD-ICM

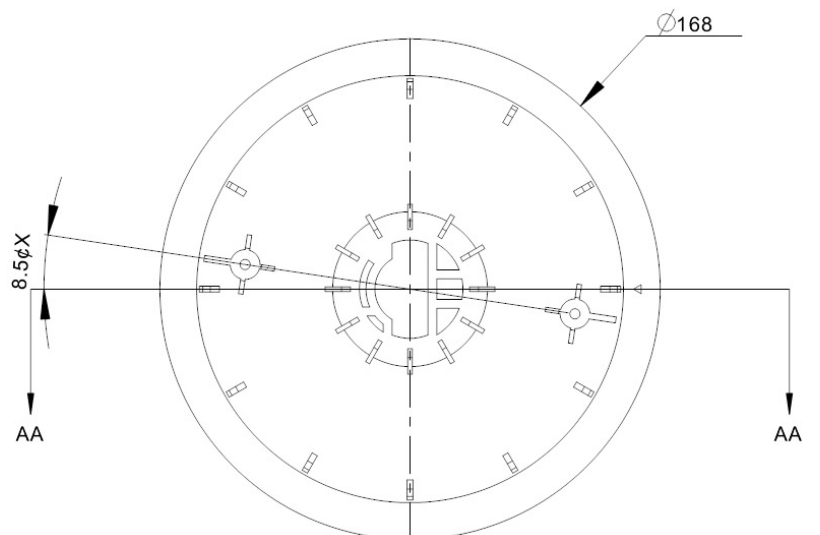
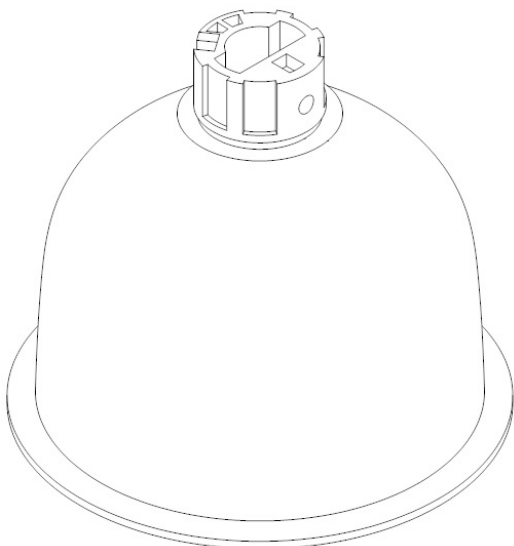
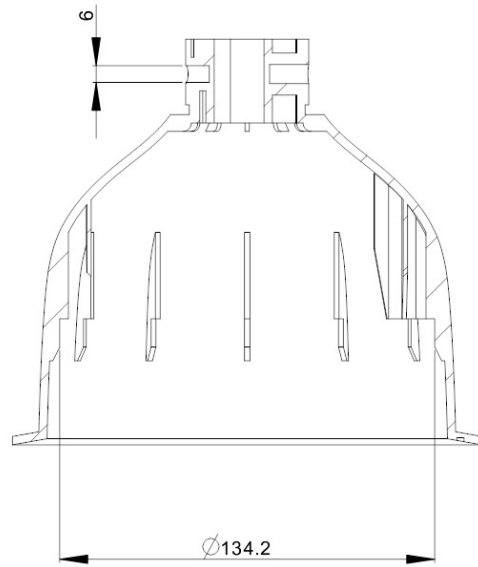
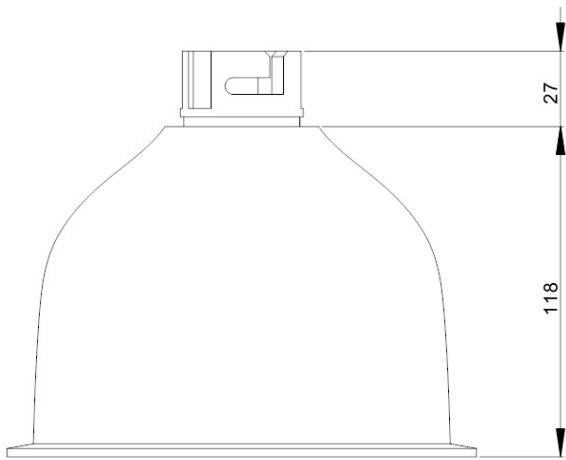


Cut hole size: 160 mm

WALL MOUNT — SY-VRD-WM



DOME ADAPTOR – SY-VRD-A



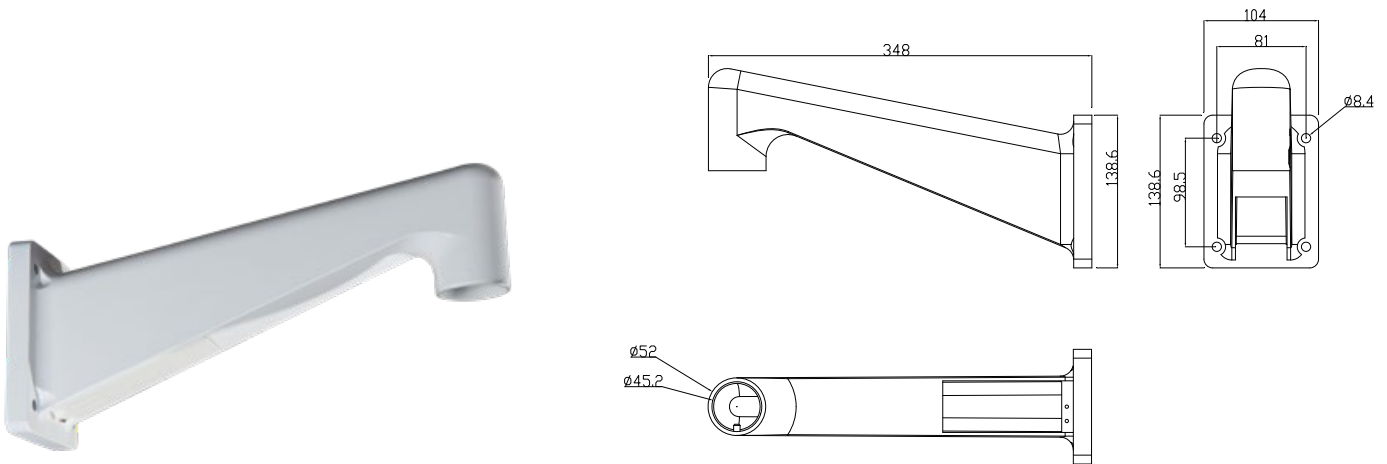
STANDARD WALL MOUNT — SY-CM-P

Dimensions (L x W x D)

348 x 104 x 138.6 mm / 13.70 x 4.09 x 5.45"

Weight

1.5 kg / 3.3 lbs



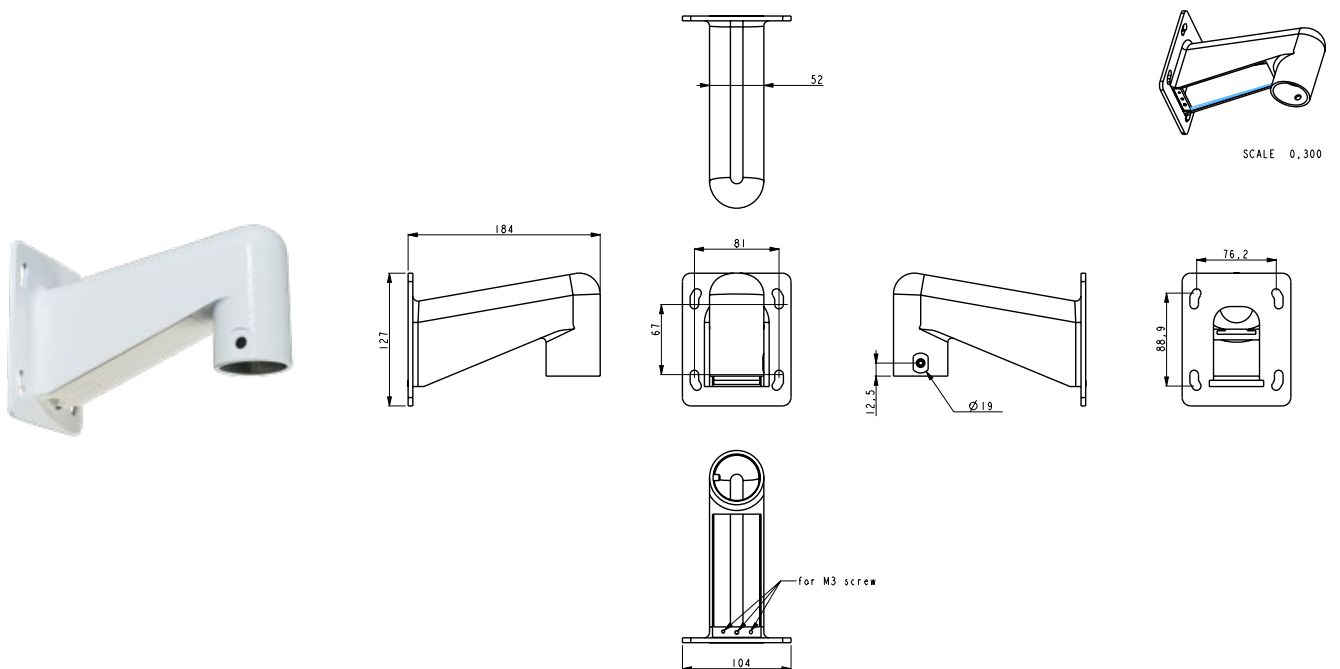
MINI WALL MOUNT — SY-CM-MP

Dimensions (L x W x D)

184 x 104 x 127 mm / 7.24" x 4.09 x 5"

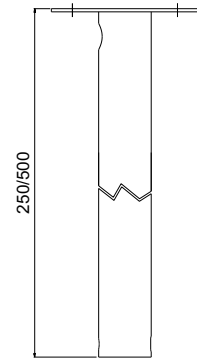
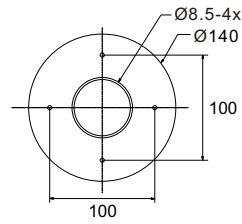
Weight

0.6 kg / 1.32 lbs



STRAIGHT TUBE — SY-CM-T25 / T50 / T100

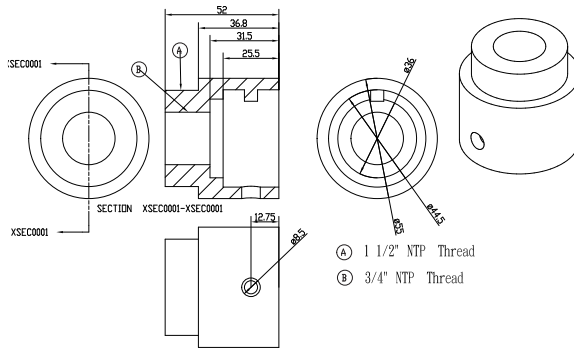
Height	250 mm / 9.8 " 500 mm / 19.7 " 1000 mm / 39.37 "
Diameter	50 mm / 2 "
Weight	1.0 kg (2.2 lbs) / 1.8 kg (4.0 lbs)



Unit: mm

1.5" NPT MOUNT ADAPTOR COMPATIBLE WITH PELCO CAMERA POLES — SY-CM-15NPT

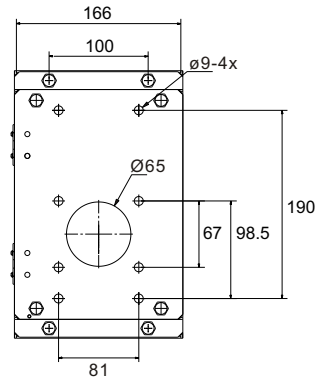
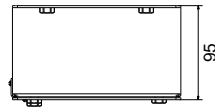
Dimensions	Φ55 x 52 mm / 2.16 x 2.04 "
------------	-----------------------------



WALL MOUNT BOX — SY-CM-WMB

Dimensions (L x W x D) 270 x 166 x 95 mm / 10.62 x 6.53 x 3.74"

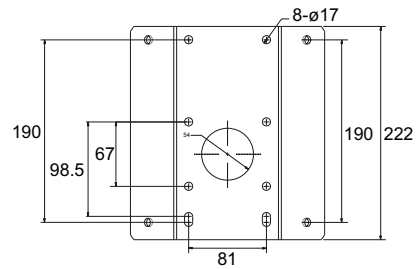
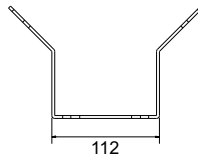
Weight 2.2 kg / 4.9 lbs



CORNER MOUNT BOX — SY-CM-CWM

Dimensions (L x W x D) 222 x 204 x 117 mm / 8.74 x 8.03 x 4.60"

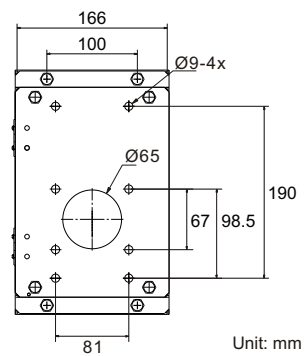
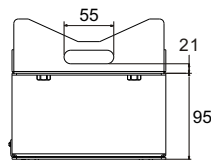
Weight 2.0 kg / 4.4 lbs



POLE MOUNT BOX — SY-CM-PMB

Dimensions (L x W x D) 270 x 166 x 155 mm / 10.62 x 6.53 x 6.10"

Weight 3.2 kg / 7.1 lbs



Unit: mm

Specifications subject to change. E & OE.